



# MILTECH™ 610PoE

## Military-grade Fast Ethernet PoE Switch

The MILTECH™ 610PoE is a military-grade Power over Ethernet (PoE) switch that supports 30W of PoE on all 8 Fast Ethernet 10/100 Ports - giving a total PoE power budget of 240 watts to power both 802.3af and 802.3at standard devices.

MILTECH™ 610PoE is ideal for mobile Ethernet-equipped platforms, such as vehicular, ground vehicles and aerial applications where traditional power sources have limited availability and supports COTS guidelines for PoE-enabled cameras, WiFi access points, mesh nodes and other devices.

Developed for military and harsh environment applications, the MILTECH™ 610PoE features mechanical packaging enhancements designed for MIL-STD-810F airborne and ground environmental compliance and high reliability.

The MILTECH™ 610PoE has been especially hardened to improve ingress, impact, and shock/vibration protection, as well as eliminate all moving parts through passive cooling, and interface through sealed MIL-D-38999 circular connectors.





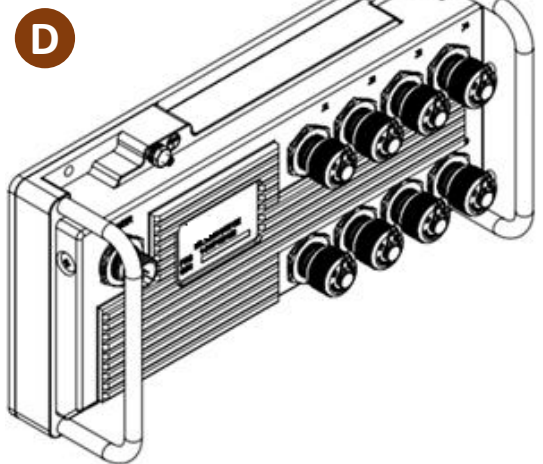
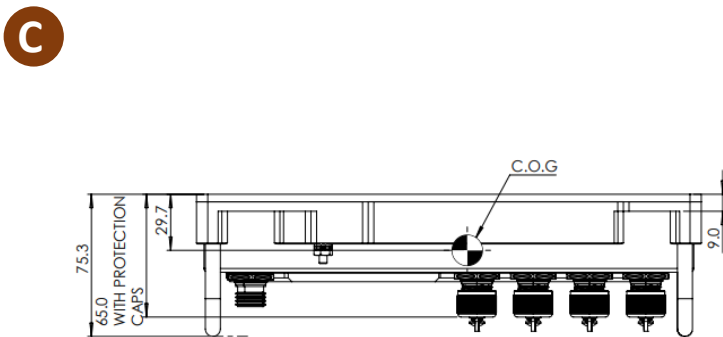
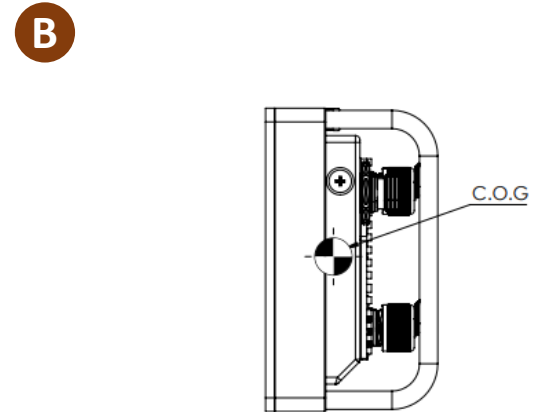
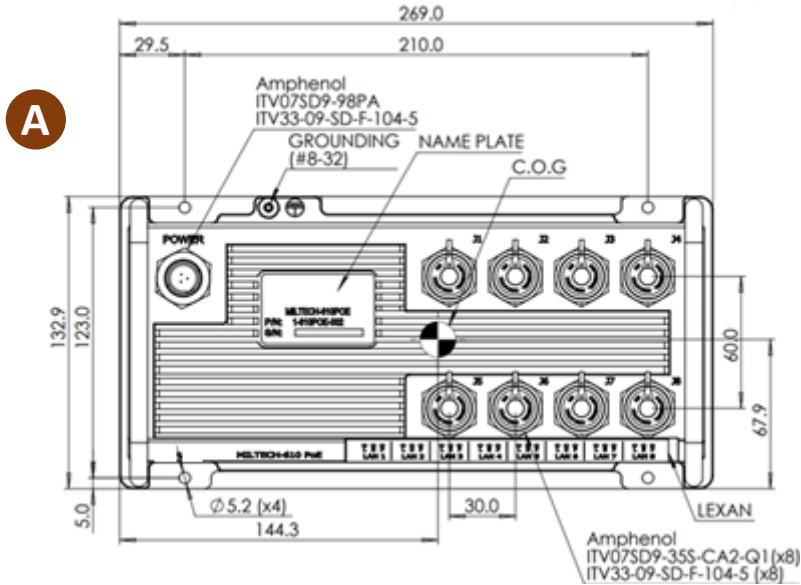
## SPECIFICATIONS

ETHERNET PORTS:	<ul style="list-style-type: none"> <li>8 x 10/100BaseT ports</li> </ul>
NETWORKING:	<ul style="list-style-type: none"> <li>Full wire-speed forwarding rate</li> <li>Store-and-forward mechanism</li> <li>Auto MDI-II, MDI-X</li> <li>Auto-Negotiation Protocol</li> <li>Address Look-Up</li> </ul>
CONNECTORS:	<ul style="list-style-type: none"> <li>Power Connector: D38999/24WA98PA</li> <li>LAN Connector: D38999/24WA35SN</li> <li>Indication Per Port (Link/Activity, Speed, PoE)</li> </ul>
CHASSIS:	<ul style="list-style-type: none"> <li>Machined rugged aluminum</li> <li>Conductively cooled w/custom internal heat-sinks</li> <li>Ingress protection against sand, dust and moisture</li> <li>Painted Nato Green MIL-C-83286 TYPE-2 - FED 24079</li> </ul>
PERFORMANCE:	<ul style="list-style-type: none"> <li>128K Byte of SRAM for Frame Buffering</li> <li>2.0Gbps High-Performance Memory Bandwidth</li> <li>2LED indication (Speed, Link/Activity) per port</li> <li>Wire-Speed Reception and Transmission</li> <li>Integrated Address Look-Up Engine</li> <li>Automatic Address Learning</li> </ul>
STANDARDS COMPLIANCE:	<ul style="list-style-type: none"> <li>IEEE 802.3 10 Mbps 10BASE-T (Ethernet)</li> <li>IEEE 802.3u 100BASE-TX 100 Mbps (Fast Ethernet)</li> <li>IEEE 802.3x Flow Control</li> <li>IEEE 802.3af, IEEE 802.3at</li> </ul>
POWER:	<ul style="list-style-type: none"> <li>Design to meet MIL-STD-1275 and MIL-STD-704 (no damage, surge and spikes protection)</li> <li>Voltage Input: 24Vdc Nominal (18-32V)</li> <li>Power Consumption: 6W Typical (excluding PoE)</li> <li>Chassis grounding</li> </ul>
PoE:	<ul style="list-style-type: none"> <li>Total PoE Budget 240W</li> <li>Maximum Consumption per port 30W</li> <li>Dynamic Power Allocation</li> <li>PoE Priority per port</li> <li>Full Comply to IEEE 802.3af, IEEE 802.3at</li> <li>No Power Degradation at +85°C</li> <li>Operates from Regular Military 24Vdc</li> <li>No need for additional PoE 48Vdc Input</li> <li>Optional GUI/Web Application for PoE Management</li> </ul>
ELECTROMAGNETIC:	<ul style="list-style-type: none"> <li>MIL-STD-461E. Contact us for available reports</li> </ul>
ENVIRONMENTAL:	<ul style="list-style-type: none"> <li>MIL-STD-810F/G. Contact us for available reports</li> <li>IP 67. Contact us for reports</li> </ul>



## SPECIFICATIONS

PHYSICAL:	<ul style="list-style-type: none"><li>• Dimensions: 269mm (L) x 133(W) x 71(H), including connectors &amp; hardware</li><li>• Dimensions: 10.5" (L) x 5.2"(W) x 2.79"(H), including connectors &amp; hardware</li><li>• Weight: 2.2kg</li></ul>
INSTALLATION:	<ul style="list-style-type: none"><li>• Four 4x5.2 mounting holes on bottom for mounting to any flat surface</li></ul>
COOLING:	<ul style="list-style-type: none"><li>• No Moving Parts. Passive Cooling</li></ul>
OPERATING TEMP:	<ul style="list-style-type: none"><li>• -40°C to +85°C (-40°F to +185°F) - Cold Start-Up</li></ul>
STORAGE TEMP:	<ul style="list-style-type: none"><li>• -40°C to +85°C (-40°F to +185°F)</li></ul>



## ORDERING INFORMATION

PART NUMBER	DESCRIPTION
1-610PoE-002	MILTECH610, military Rugged, 8 x PoE+ 10/100TX, Switch
2-CBL610PW3M	Power cable MILTECH610, MIL-D-38999 Connectors, 3 meter length
2-CBL708LN3M	LAN Cable for MILTECH610, MIL-D-38999 to RJ-45 Connectors, 3 meter length
800-H-0610-000	CARRYING HANDLES KIT FOR MILTECH610