



# MILTECH™ 8P2

## Advanced Rugged Tactical 8-Port USB Type-C Ultra Fast Charger

Enercon's MILTECH™ 8P2 is a Rugged Managed Tactical 8-Port USB Type-C Ultra Fast Charger, supporting the latest advanced charge standards such as Power Delivery 3.0, Quick Charge 3.0, PPS as well as legacy charging standards.

The rising deployment of USB-based electronic devices, including smartphones, tablets, and PDAs, across military applications has created a growing demand for effective charging solutions. As a result, providing charging capability for these devices in battlefield conditions has become a basic requirement.

When deployed in ground combat vehicles or field operations, the MILTECH™ 8P2 charger provides multiple advanced charging ports, ensuring reliable support for the latest ultra-fast charging requirements of mission-critical devices..

The rugged MILTECH™ 8P2 mounted inside ground combat vehicles, can charge up to 8 advanced USB based electronic devices simultaneously while providing up to 20V/5A per port with external host configuration options.

The MILTECH™ 8P2 was designed for harsh environments, supporting MIL-STD 1275 and IP67 protection.

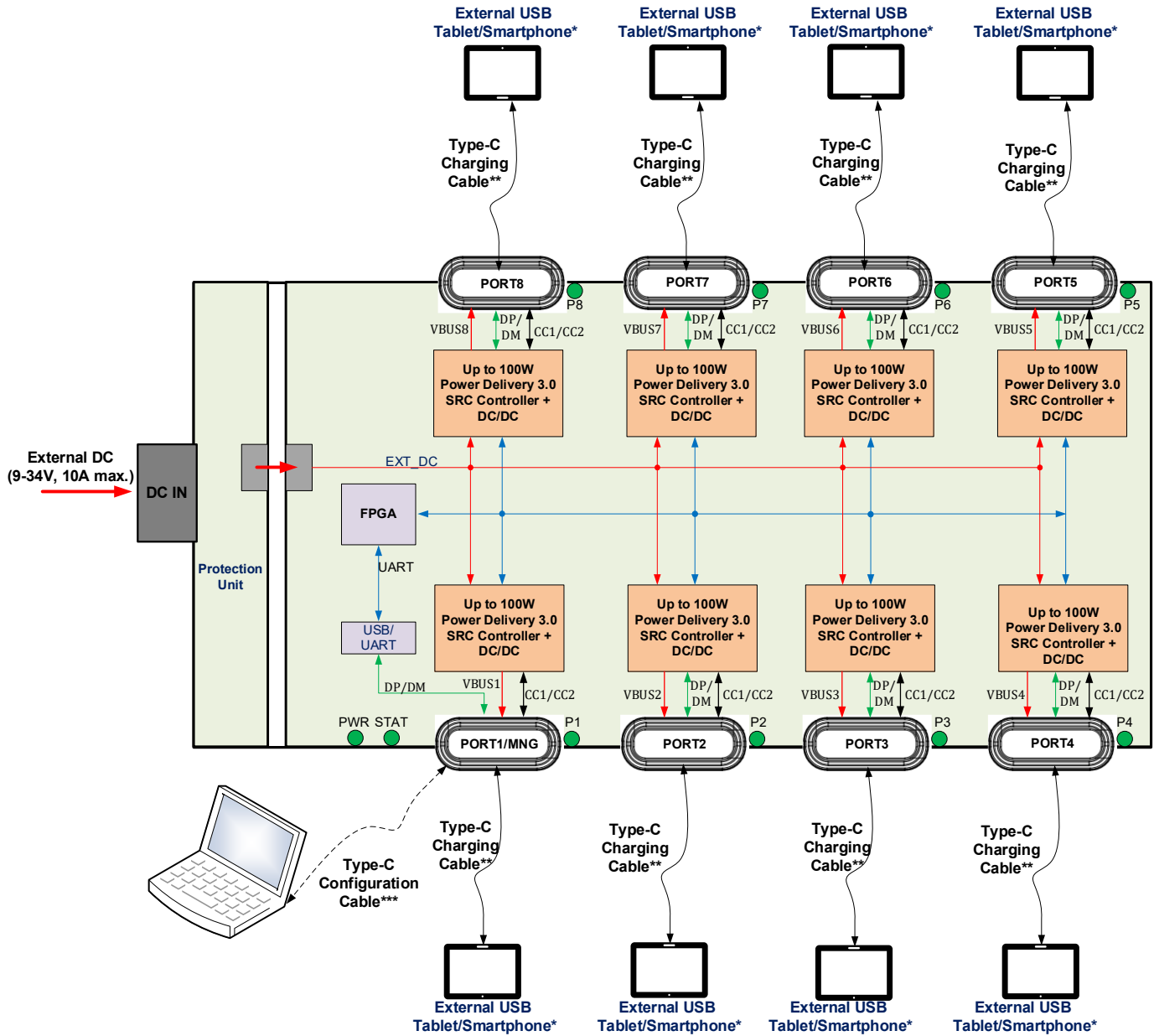
### Specifications

CONNECTORS:	<ul style="list-style-type: none"> <li>Power – D38999/24ZC4PN (Mating D38999/26ZC4SN)</li> <li>USB ports (x8) – waterproof standard USB Type-C inlets, with optional single screw lock (with relevant USB cables)</li> </ul>
CHASSIS:	<ul style="list-style-type: none"> <li>Low profile rugged machined aluminum</li> <li>Conductively cooled</li> <li>Ingress protection against sand, dust, water</li> <li>Chassis grounding</li> </ul>
POWER IN:	<ul style="list-style-type: none"> <li>Input DC range: 9-34 VDC, 10A Max.</li> <li>Protections: Over/Under Voltage, Reverse Polarity</li> </ul>
PERFORMANCE:	<ul style="list-style-type: none"> <li>Charging Capabilities: USB PD/QC 3.0/PPS PDOs, up to 100W (20V/5A) per port</li> <li>Supported PDOs per port: 5V/3A, 9V/3A, 15V/3A, 20V/3A, 12V/5A, 15V/5A, 20V/5A Note: with total unit input current limit of 10A (unit will manage loads actual charge profiles vs max unit input current). The unit firmware max output power is configurable via CLI.</li> <li>Legacy charging modes supported</li> </ul>
MANAGEMENT:	<ul style="list-style-type: none"> <li>CLI management port (in port #1)</li> <li>Optional unit configurations: per port charge profiles, overall output power limit</li> <li>Built in self test (BIT/CBIT/IBIT)</li> <li>Power, Status (BIT) and per Port Status LEDs</li> </ul>
PHYSICAL:	<ul style="list-style-type: none"> <li>Dimensions: 183mm (L) x 102mm (W) x 46mm (H)</li> <li>Weight: 540g</li> </ul>
STANDARDS:	<ul style="list-style-type: none"> <li>Design to meet: MIL-STD-810, MIL-STD-461, MIL-STD-1275, IP67</li> <li>Charging: USB PD 3.0, QC 3.0, PPS</li> <li>REACH/ROHS</li> </ul>
INSTALLATION:	<ul style="list-style-type: none"> <li>4 x Mounting hole for Screw # 8/32 UNC</li> </ul>
COOLING:	<ul style="list-style-type: none"> <li>No moving parts. Passive cooling</li> </ul>
OPERATING/STORAGE TEMP:	<ul style="list-style-type: none"> <li>-40°C to +85°C (-40°F to +185°F), Cold Start-Up</li> </ul>





# Application Diagram

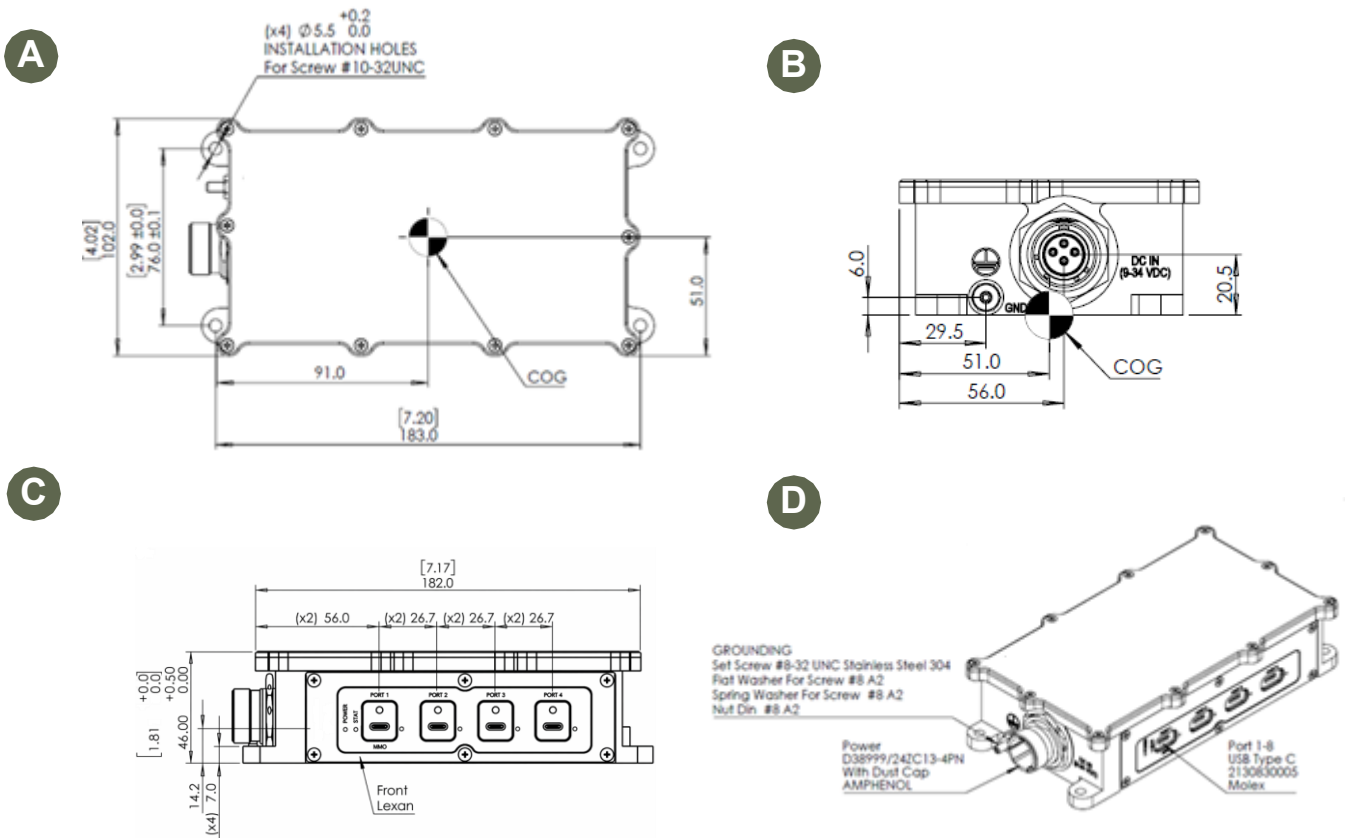


- \* Or any other USB device supporting Power Delivery 3.0/Quick Charge 3.0 or Legacy Charging
- \*\* USB Type-C charging cable with 5A rating for Maximal PD/QC 100W charging
- \*\*\* Optional CLI management port for customer configuration (per port PDO, max output power) and unit monitoring





## Mechanical Drawing



## Ordering Information

PART NUMBER	DESCRIPTION
M018	Tactical 8 ports USB Type-C ultra fast charger
29-040600-00	MILTECH 8P2 cable kit: power input cable (3m) and 8 x USB Type-C to USB Type-C with locking screw (1.8m)
29-040234-00	MILTECH 8P2 power input cable (3m)