

M109 SERIES

SINGLE-OUTPUT, UP TO 1KW AC/DC POWER SUPPLY

The M109 is a series of mechanically robust, base plate cooled, high performance, 1kW single output AC to DC power supplies, for Navy shipboard, Airborne, and ground applications. The M109 converts 115VAC or 230VAC /50-60Hz or 115VAC 400Hz, to a well-regulated, filtered and protected DC Output.



THE MAIN FEATURES OF THE M109 ARE:

- AC/DC Single output power supply up to 1kW
- 115VAC or 230VAC Standard Input version 50/60 Hz, single-phase
- For extended input version - **Please contact factory for more details**
- Very low input THDA
- Near unity power factor (>0.99)
- Input / Output isolation
- EMI filters included
- Remote sense compensation
- Remote Inhibit (On/Off)
- Fixed switching frequency
- External sync capability
- Parallel connection option
- Inrush Current Limiter
- Non-latching protections:
 - Overload/Short-circuit
 - Output Overvoltage
 - Over Temperature
 - Input Undervoltage Lockout

M109 Series– AC/DC Power Supply

Standard Models List (for other voltages – consult factory)

Part number	Input	Output	
	Voltage range	Voltage	Current
M109-100	115V _{AC} / 50-400Hz / Single-phase	5 V _{DC}	70 A
M109-101	115V _{AC} / 50-400Hz / Single-phase	12 V _{DC}	70 A
M109-102	115V _{AC} / 50-400Hz / Single-phase	24 V _{DC}	42 A
M109-103	115V _{AC} / 50-400Hz / Single-phase	28 V _{DC}	36 A
M109-104	115V _{AC} / 50-400Hz / Single-phase	48 V _{DC}	21 A
M109-200	230V _{AC} / 50-400Hz / Single-phase	5 V _{DC}	70 A
M109-201	230V _{AC} / 50-400Hz / Single-phase	12 V _{DC}	70 A
M109-202	230V _{AC} / 50-400Hz / Single-phase	24 V _{DC}	42 A
M109-203	230V _{AC} / 50-400Hz / Single-phase	28 V _{DC}	36 A
M109-204	230V _{AC} / 50-400Hz / Single-phase	48 V _{DC}	21 A

- Additional standard configurations available. **Contact factory for more details.**
- All of our products can be configured to comply with EU REACH regulations. **Contact factory for more details.**

SPECIFICATIONS:

AC Input	Voltage Range	Option 1: 85-150VAC/50-400Hz/1 phase Option 2: 150-265VAC/50-400Hz/1 phase. For extended input version - Please contact factory for more details
	Isolation	Input to Output: 1000 VDC Input to Case: 1000 VDC
	Current Waveform	Complies with the Harmonic Current limits of MIL-STD-1399-300B.
DC Output	Rating	See table on page 8
	Voltage Regulation	±1% (Nominal voltage range, from 10% load to full load, –40 °C to +85 °C at baseplate).
	Remote Sense	SENSE (connector J2, pin 19) The SENSE line is used to achieve accurate voltage regulation at load terminals. To use this feature, connect this pin directly to load's positive terminal. If this function is not required, short SENSE pin to OUTPUT pins.
		SENSE RTN (connector J2, pin 18) The SENSE RTN line is used to achieve accurate voltage regulation at load terminals. To use this feature, connect this pin directly to load's negative terminal. If this function is not required, short SENSE RTN pin to OUT RTN pins.
		Note: For output voltage above 8V, the use of remote sense has a max limit of 0.25V voltage dropout between converter's output and load terminals. For output voltage below 8V, the use of remote sense has a max limit of 0.5V voltage dropout between converter's output and load terminals. When not used connect SENSE to OUT and SENSE RTN to OUT RTN.
	Ripple and Noise	(max. 1%) measured at load across 1 μF and 0.1 μF ceramic capacitors.
	Isolation	Output to Case: 200 V _{DC}
Current Limit & Overload	Overload / Short-Circuit (HIC-UP) The converter shuts down (H.C) and restarts periodically while fault condition exists. Threshold set 120% ± 10% above maximum current	
Efficiency	87% typical (nominal line voltage, full load, room temperature)	

M109 Series– AC/DC Power Supply

	<p><i>Overvoltage Protection</i></p>	<p>Over-Voltage active Internal control shuts output down (H.C) if voltage exceeds 110% ± 5% of nominal.</p> <p>Over-Voltage Passive Passive transorb. chosen at 125% ± 5% of nominal voltage.</p>
	<p><i>Over Temp. Protection</i></p>	<p>The converter shuts down if baseplate temperature exceeds +105 °C ± 5 °C. Automatic recovery upon cool down to below +95 °C ± 5 °C.</p>

Specifications (Cont.):

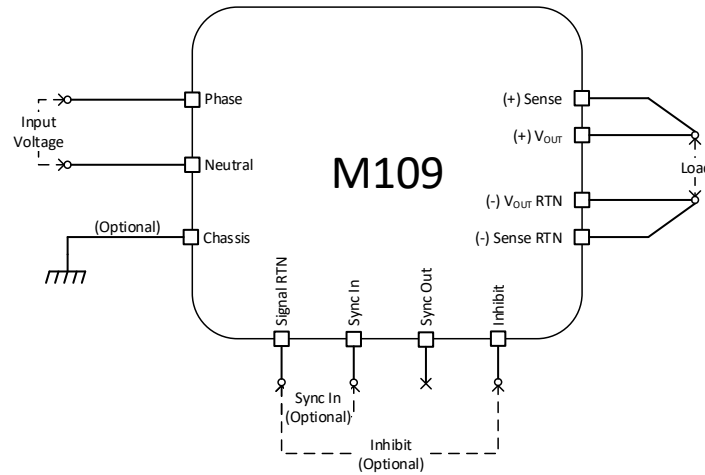
Control & Indication	<i>INHIBIT Input</i>	<p><u>INHIBIT</u> (connector J2, pin 20) The <i>INHIBIT</i> signal is used to turn the power supply ON and OFF. TTL “1” or OPEN – Power supply active (output turned on). TTL “0” or SHORT to Signal RTN – Power supply inhibited (output turned off). If this function is not required, leave this pin unconnected. This signal is referenced to <i>SIGNAL RTN</i> (connector J2, pin 21)</p>
	<i>SIGNAL RTN</i>	<p><u>SIGNAL RTN</u> (connector J2, pin 21) The SIGNAL RTN is a reference ground for the control signals <i>SYNC IN</i>, <i>SYNC OUT</i> and <i>INHIBIT</i>. This ground is floating from other parts of the power supply.</p>
	<i>SYNC IN</i>	<p><u>SYNC IN</u> (connector J2, pin 62) The <i>SYNC</i> signal is used to synchronize the power supply's switching frequency to system's clock. Valid external clock frequency is 250 kHz ± 10 kHz. If this function is not required, leave this pin unconnected - the power supply will use its internal clock. This signal is referenced to <i>SIGNAL RTN</i> (connector J2, pin 21)</p>
	<i>SYNC OUT</i>	<p><u>SYNC OUT</u> (connector J2, pin 42) The <i>SYNC OUT</i> signal is a buffered clock with the same frequency as that of the converter's actual switching frequency of 250 kHz ± 10 kHz. This signal can be used to synchronize other power supplies in the system in a master-slave setup. This signal is referenced to <i>SIGNAL RTN</i> (connector J2, pin 21)</p>
Environment Designed to meet MIL-STD-810F	<i>Temperature</i>	<p>Methods 501.5 & 502.5 Procedure I (storage): -55 °C to +125 °C (ambient) Procedure II (operation): -40 °C to +85 °C (at baseplate)</p>
	<i>Humidity</i>	<p>Method 507.5 Up to 95% RH</p>
	<i>Salt-fog</i>	<p>Method 509.5</p>
	<i>Altitude</i>	<p>Method 500.5 Procedure I – Storage/Air transport: Up to 70 000 ft Procedure II – Operation/Air Carriage: Up to 40 000 ft</p>
	<i>Mechanical Shock</i>	<p>Method 516.6 Procedure I - Functional Shock Terminal peak sawtooth pulse, 20 g peak, 11 ms</p>

M109 Series– AC/DC Power Supply

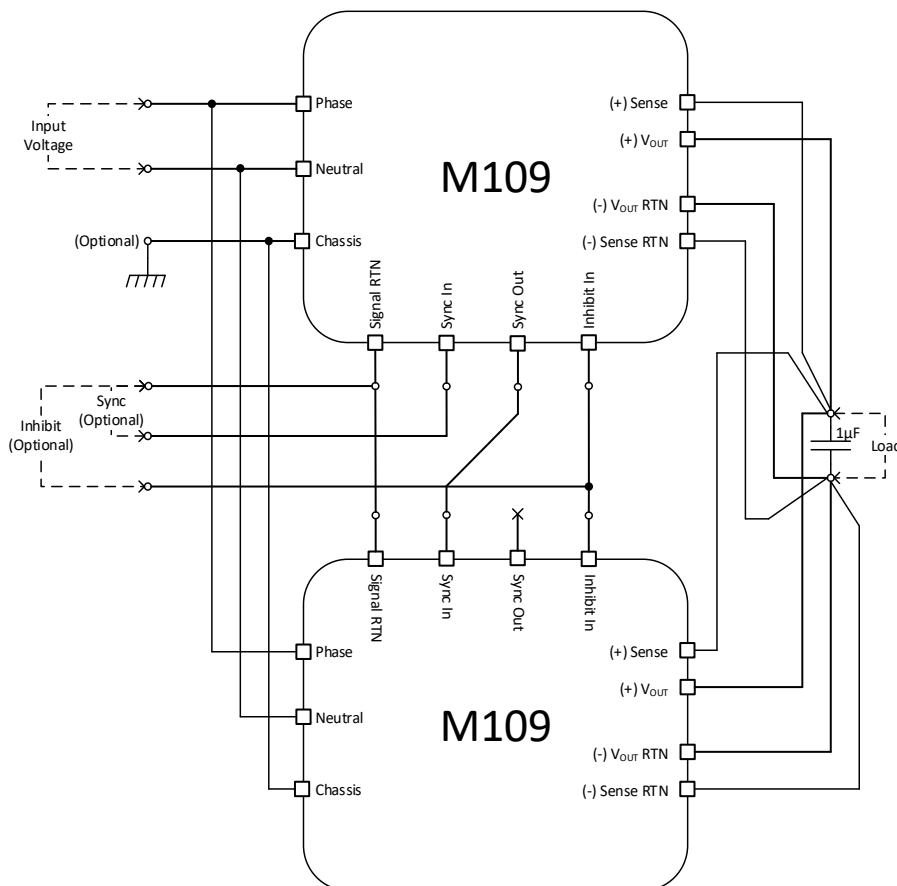
	Vibration	<u>Vibration (Random)</u> Method 514.6 Procedure I Category 24 - General minimum integrity exposure <u>Vibration (Shipboard Equipment)</u> Method 528 Type I
	Fungus	Does not support fungus growth, in accordance with the guidelines of MIL-STD-454, Requirement 4-
EMI	MIL-STD-461F	Designed to meet* MIL-STD-461F CE101, CE102, CS101, CS114, CS115, CS116, RE101, RS101, RS103
Reliability		100,000 hours, calculated per MIL-STD-217F Notice 2 at +85 °C baseplate, Ground Fixed. 60,000 hours, calculated per MIL-STD-217F Notice 2 at +85 °C baseplate, Naval Sheltered.
Cooling Requirements		The M109 is a baseplate cooled unit. The base of the M109 should be thermally attached to a suitable heatsink that maintains it below +85 °C.
Form factor		5.51" wide, 1" high and 9.84" deep. For detailed dimensions and tolerances see Drawing: M109001
Weight		Estimated weight 1.6kg
Connectors		See Page 12-13

*Compliance achieved with shielded harness and static resistive load.

TYPICAL STAND-ALONE CONNECTION DIAGRAM



TYPICAL PARALLEL CONNECTION DIAGRAM



Note: Parallel operation via output voltage droop. Voltage regulation is $\pm 2\%$.

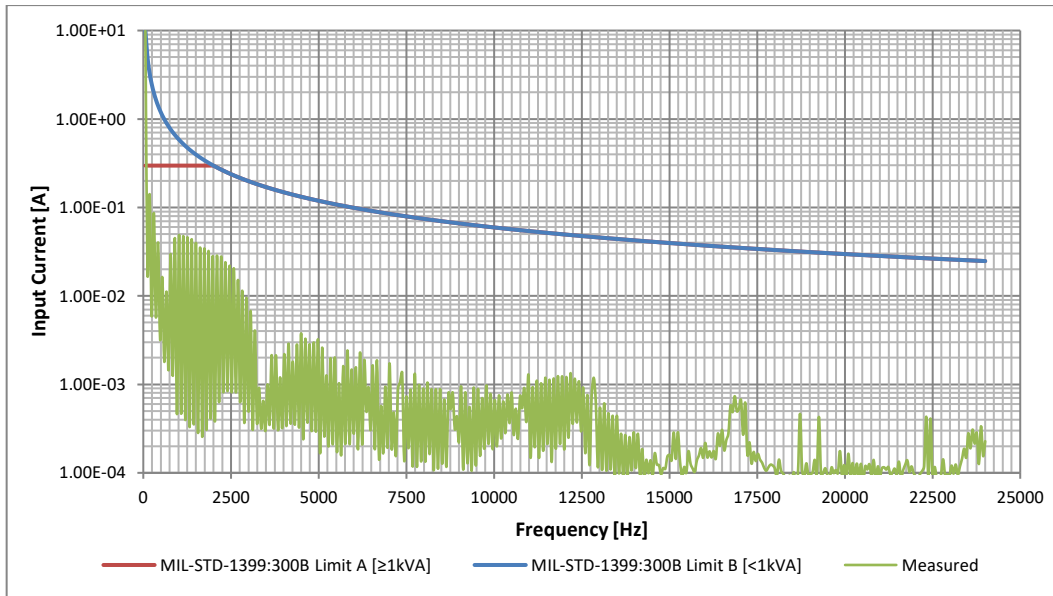
Outputs Range

Output #	Voltage Range	Current Range	Output Regulation	Power Range
1	3.3 - 50V _{DC}	0 to 70 A	±1%	0 to 1 kW
Total				0 to 1 kW

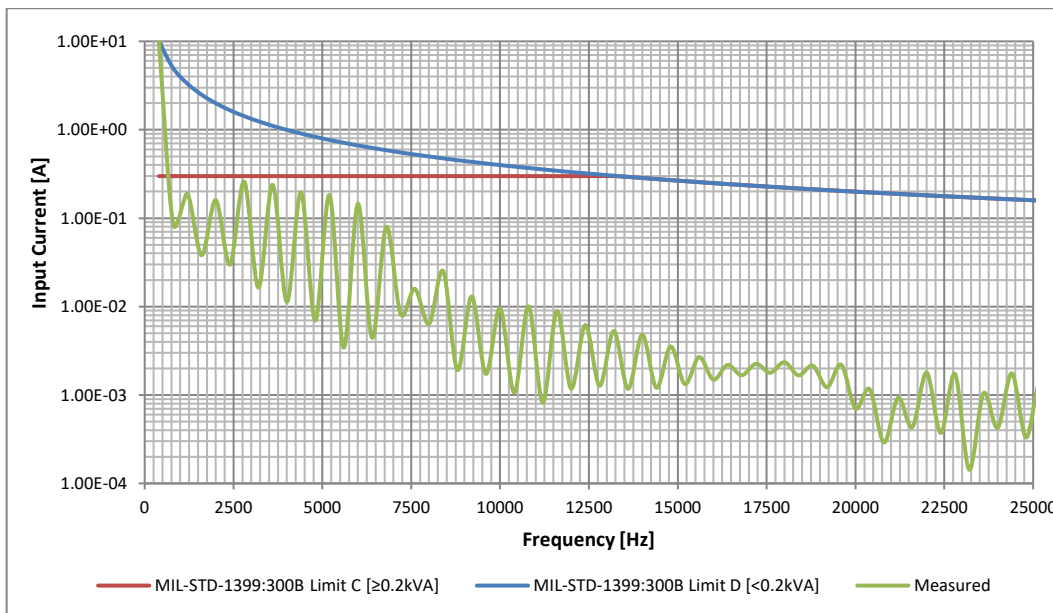
HIGHLIGHTS AND TYPICAL CHARACTERISTICS

INPUT CURRENT HARMONICS

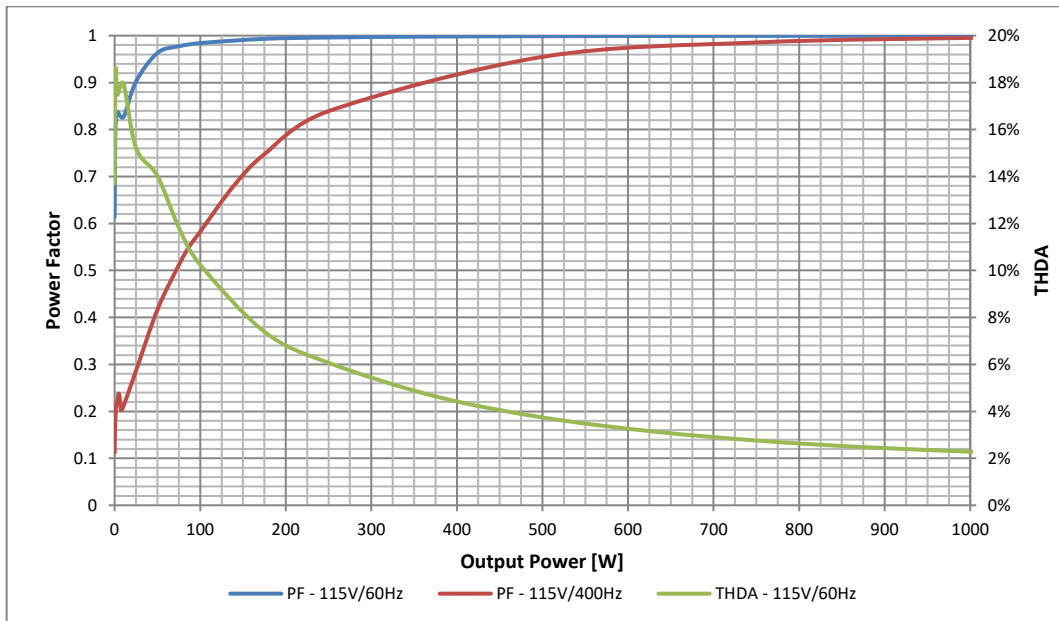
Input: 115 V_{AC} / 60 Hz , Output: 28 V_{DC} / 36 A (1 000 W)



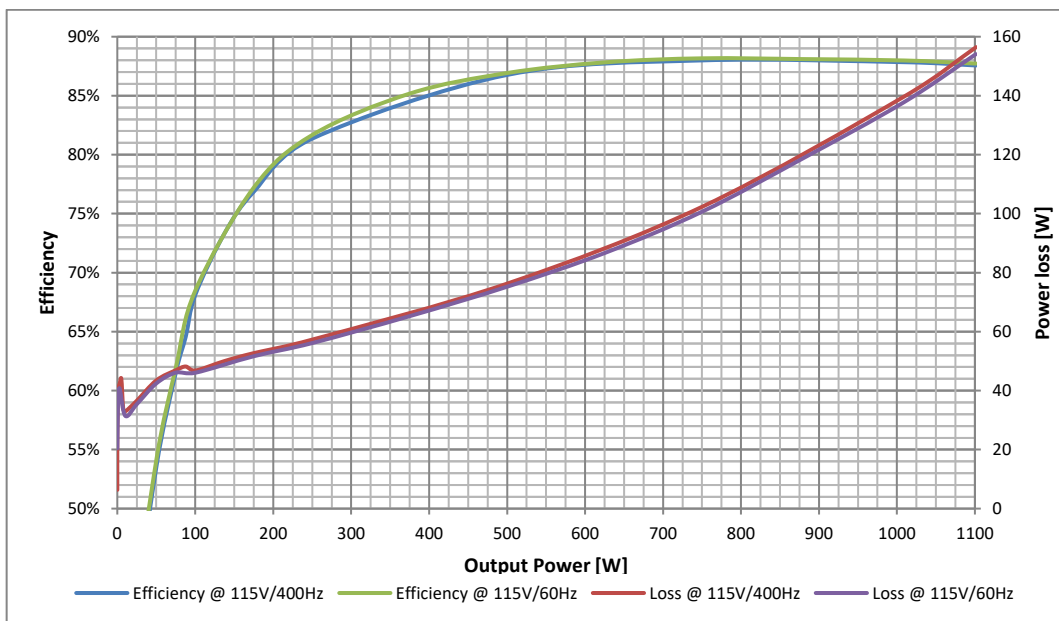
Input: 115 V_{AC} / 400 Hz , Output: 28 V_{DC} / 36 A (1 000 W)



POWER FACTOR AND INPUT CURRENT TOTAL HARMONIC DISTORTION (THDA)

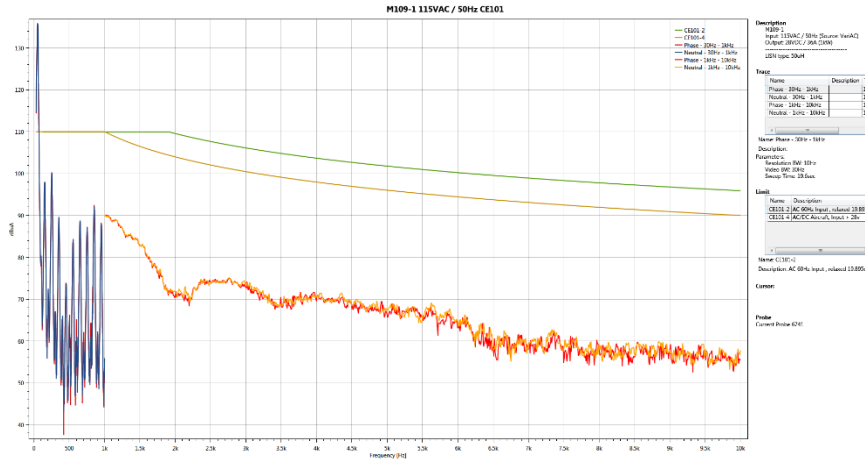


EFFICIENCY AND LOSS

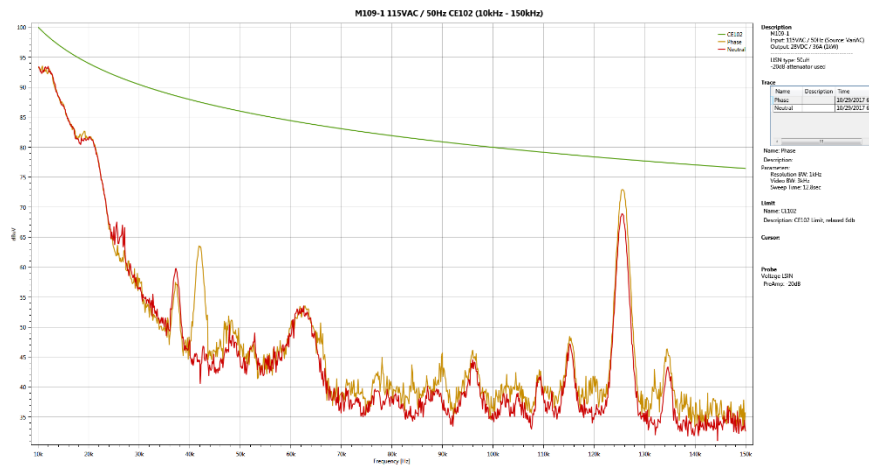


CONDUCTED EMISSIONS (IAW MIL-STD-461F)

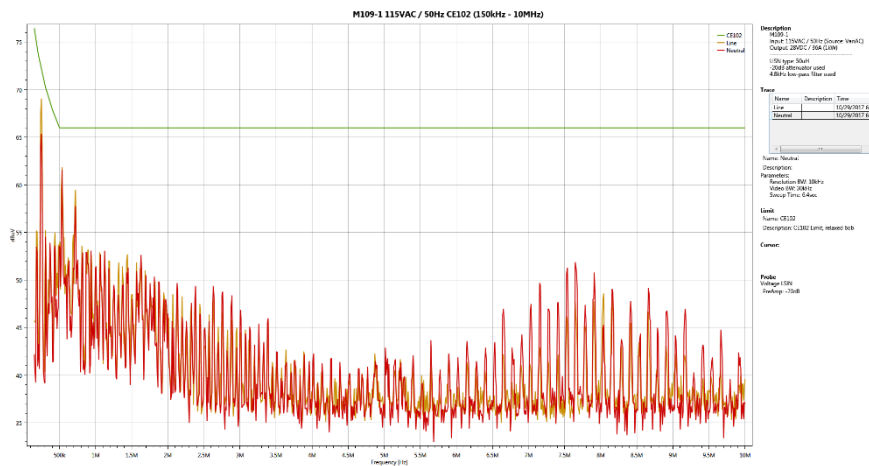
CE101 - 30 Hz to 10 kHz:



CE102 - 10 kHz to 150 kHz:



CE102 - 150 kHz to 10 MHz:



PIN ASSIGNMENT: J1 - INPUT CONNECTOR

Connector type: Positronic DD26M4000C-50 or eq. (e.g. M24308/24-74F)

Mates with: Positronic DD26S1000C-50 or eq. (e.g. M24308/2-12F).

Pin No.	Function	P
1	CHASSIS	
2	N/C	
3	NEUTRAL	0
4	NEUTRAL	0
5	NEUTRAL	0
6	N/C	
7	PHASE	~
8	PHASE	~
9	PHASE	~

Pin No.	Function	P
10	CHASSIS	
11	N/C	
12	NEUTRAL	0
13	NEUTRAL	0
14	NEUTRAL	0
15	N/C	
16	PHASE	~
17	PHASE	~
18	PHASE	~

Pin No.	Function	P
19	N/C	
20	NEUTRAL	0
21	NEUTRAL	0
22	NEUTRAL	0
23	N/C	
24	PHASE	~
25	PHASE	~
26	PHASE	~

Note: All pins with identical function/designation should be connected together for optimal performance.

CHASSIS Note: Chassis PIN (connector J1, pins 1 and 10)

The CHASSIS pin allows additional connection of unit's chassis to system ground.

PIN ASSIGNMENT: J2 - OUTPUT CONNECTOR

Connector type: Positronic DD62SM4000C-50 or eq. (e.g. M24308/23-76F)

Mates with: Mates with: Positronic DD62M1000C-50 or eq. (e.g. M24308/4-14F)

Pin No.	Function	P
1	OUT	+
2	OUT	+
3	OUT	+
4	OUT	+
5	OUT	+
6	OUT	+
7	OUT	+
8	OUT	+
9	OUT RTN	-
10	OUT RTN	-
11	OUT RTN	-
12	OUT RTN	-
13	OUT RTN	-
14	OUT RTN	-
15	OUT RTN	-
16	OUT RTN	-
17	OUT RTN	-
18	SENSE RTN	-
19	SENSE	+
20	INHIBIT	+
21	SIGNAL RTN	-

Pin No.	Function	P
22	OUT	+
23	OUT	+
24	OUT	+
25	OUT	+
26	OUT	+
27	OUT	+
28	OUT	+
29	OUT	+
30	OUT	+
31	OUT RTN	-
32	OUT RTN	-
33	OUT RTN	-
34	OUT RTN	-
35	OUT RTN	-
36	OUT RTN	-
37	OUT RTN	-
38	OUT RTN	-
39	OUT RTN	-
40	N/C	
41	N/C	
42	SYNC OUT	+

Pin No.	Function	P
43	OUT	+
44	OUT	+
45	OUT	+
46	OUT	+
47	OUT	+
48	OUT	+
49	OUT	+
50	OUT	+
51	OUT	+
52	OUT RTN	-
53	OUT RTN	-
54	OUT RTN	-
55	OUT RTN	-
56	OUT RTN	-
57	OUT RTN	-
58	OUT RTN	-
59	OUT RTN	-
60	N/C	
61	N/C	
62	SYNC IN	+

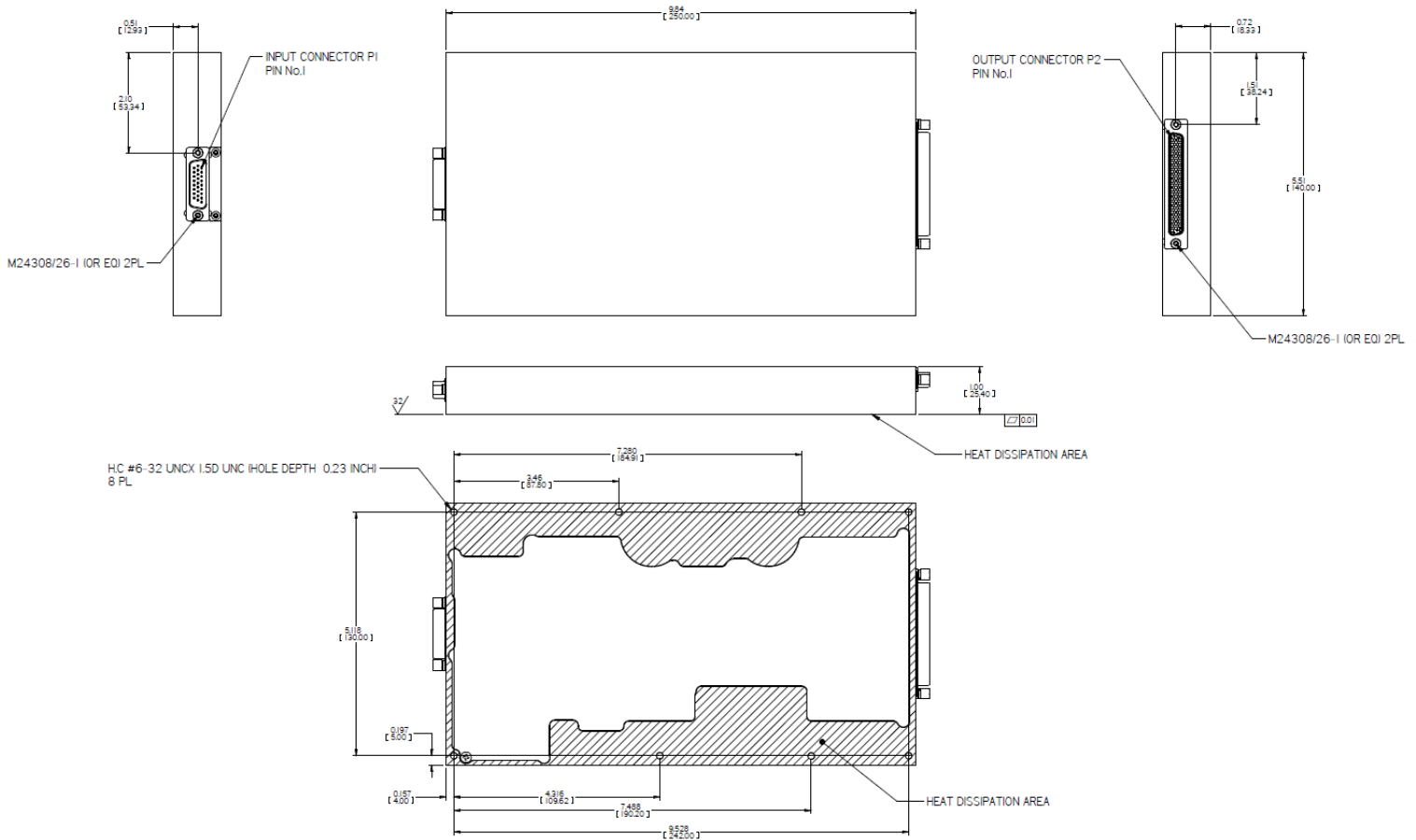
Note: All pins with identical function/designation should be connected together for optimal performance.

CHASSIS Note: Chassis PIN (connector J1, pins 1 and 10)

The CHASSIS pin allows additional connection of unit's chassis to system ground.

OUTLINE DRAWING:

For detailed dimensions and tolerances see Drawing: M109001



Note: Specifications are subject to change without prior notice by the manufacturer.