

M1158 SERIES

AC/DC POWER SUPPLY



PRODUCT HIGHLIGHTS

- COMPACT
- HIGH DENSITY
- HIGH EFFICIENCY
- SINGLE OUTPUT
- AC/DC POWER SUPPLY
- UP TO 500 W

Applications

Military (Airborne, ground-fix, shipboard), Ruggedized, Telecom, Industrial

Special Features

- Miniature size
- High efficiency
- Wide input range
- BIT function
- Remote Inhibit (On/Off)
- Fixed switching freq. (~250 kHz)
- EMI filters included
- Power factor 0.86 at full load
- Designed for large capacitive loads
- Input / Outputs isolation
- Indefinite short circuit protection with auto-recovery
- Over temperature shutdown with auto-recovery

Electrical Specifications

AC Input

Nominal: 3-ph, 115 V_{AC,L-N},
60-400 Hz
Operating range: 100-140 V_{AC,L-N}

DC Output

Voltage range: 5 to 50 VDC
Current: 0 to 25 A
Power output: 0 to 500 W

Isolation

Input to Output: 500 V_{DC}
Input to Case: 500 V_{DC}
Output to Case: 100 V_{DC}

Line/Load regulation

Up to ±1% (no load to full load, with load capacitance of 9.6 mF ± 25%)

Efficiency

89% minimum (at nominal line voltage, full load, room temperature)

EMC

Designed to meet MIL-STD-461F with static resistive load and shielded cables: CE102 (with 12 dB relaxation below 30 kHz), CS101, CS114, CS115, CS116, RE101, RE102, RS101, RS103

Ripple and Noise

Less than 50 mV_{p-p} with 9.6 mF load capacitance

Turn on Transient

No voltage over shoot during power on.

Protections

Input

- Inrush current limiter

Output

- **Passive transorb on outputs.**
- **Current limiting**
Continuous protection for unlimited time.

General

- Over temperature protection: Shutdown at base plate temperature of +95 °C ± 5 °C
Automatic recovery at base plate temperature greater than 85 °C

Environmental Conditions

Temperature

Operating: –55 °C to +85 °C
(at baseplate)
Storage: –55 °C to
+125 °C

Fungus

IAW MIL-STD-810G
Method 508.6

Random Vibration

Frequency [Hz]	Amplitude [g ² /Hz]
2 to 3.7	1x10 ⁻³
4 to 60	2x10 ⁻³
70 to 200	1x10 ⁻³
210	1x10 ⁻⁵
10 000	1x10 ⁻⁶

Low Pressure (Altitude)

IAW MIL-STD-810G
Method 500.5
Procedure I – up to 40 000 ft.
Procedure II – up to 20 000 ft.

Sand and Dust

IAW MIL-STD-810G
Method 510.5
Procedure I

Vibration of Shipboard Equipment

IAW MIL-STD-167-1A
Below Deck

Humidity

IAW MIL-STD-810G
Method 507.5
Up to 95%.

Shock

IAW MIL-STD-810G
Method 516.6
Procedure I, Figure 516.6-10
20 g, 11 ms terminal peak saw-
tooth (all directions)

Reliability

150 000 hours, calculated per
MIL-STD-217F at +80°C base
plate, Ground fixed.

Environmental Stress Screening (ESS)

Random vibration and thermal cycles ESS is available upon request. **Please consult factory for details.**

Pin Assignment

Input Connector

Connector type: M24308/24-37F or eq.

Mates with: M24308/2-1F or eq.

Pin No.	Function
1	Phase A
2	N.C.
3	Phase B
4	Phase C
5	Chassis
6	Phase A
7	N.C.
8	Phase B
9	Phase C

Output Connector

Connector type: M24308/23-39F or eq.

Mates with: M24308/4-3F or eq.

Pin No.	Function
1	N/C
2	BIT (+)
3	INHIBIT (+)
4	VOUT RTN (-)
5	VOUT RTN (-)
6	VOUT RTN (-)
7	VOUT RTN (-)
8	VOUT RTN (-)
9	VOUT (+)

Pin No.	Function
10	VOUT (+)
11	VOUT (+)
12	VOUT (+)
13	VOUT (+)
14	N/C
15	BIT RTN (-)
16	VOUT RTN (-)
17	VOUT RTN (-)
18	VOUT RTN (-)

Pin No.	Function
19	VOUT RTN (-)
20	VOUT RTN (-)
21	VOUT (+)
22	VOUT (+)
23	VOUT (+)
24	VOUT (+)
25	VOUT (+)

Note: For best performance; all output pins of the same designation should be connected together.

Functions and Signals

INHIBIT

The INHIBIT signal turns the Outputs of the power supply ON and OFF.

OPEN ($I < 0.03 \text{ mA} @ V = 6.2 \text{ V}$) – Output power available.

SHORT ($V < 2 \text{ V} @ I = 2 \text{ mA}$) to VOUT RTN – Output power is inhibited.

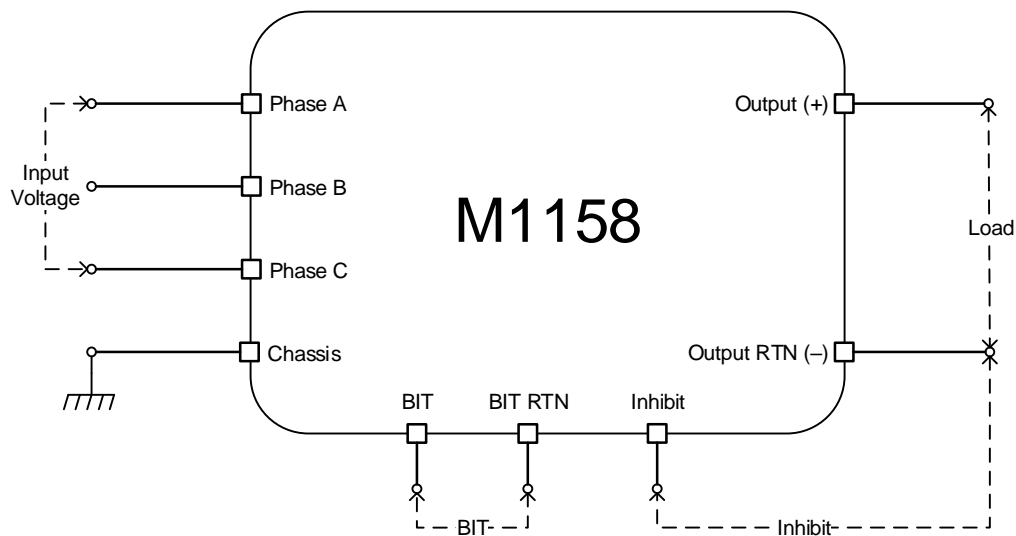
BIT (Built-In Test)

Isolated open-collector transistor (Optocoupler secondary side).

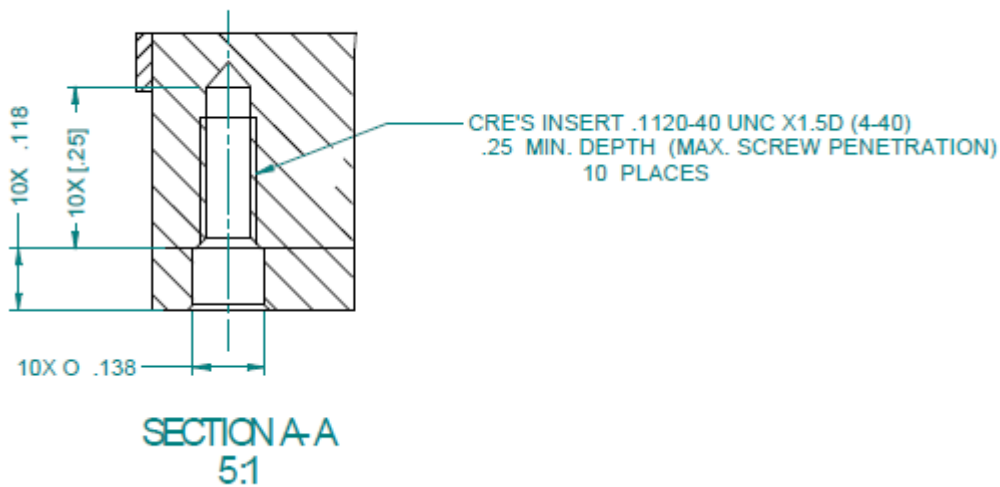
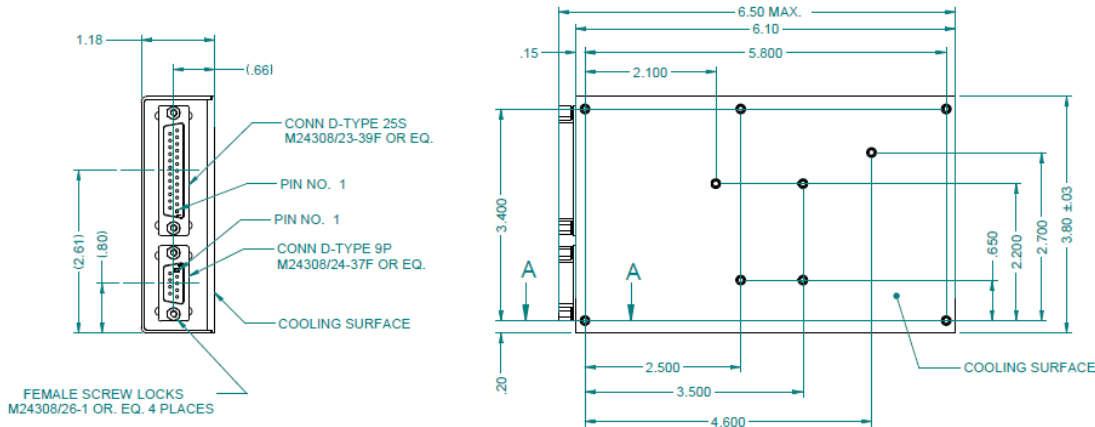
Low ($V < 0.5 \text{ VDC} @ 2 \text{ mA}$): when output voltage rise above $95\% \pm 5\%$ off its nominal value.

Open ($I < 0.1 \text{ mA} @ 20 \text{ VDC max}$): when output voltage falls below $90\% \pm 5\%$ off its nominal value.

Typical Connection Diagram



Outline Drawing:



Note: Specifications are subject to change without prior notice by the manufacturer