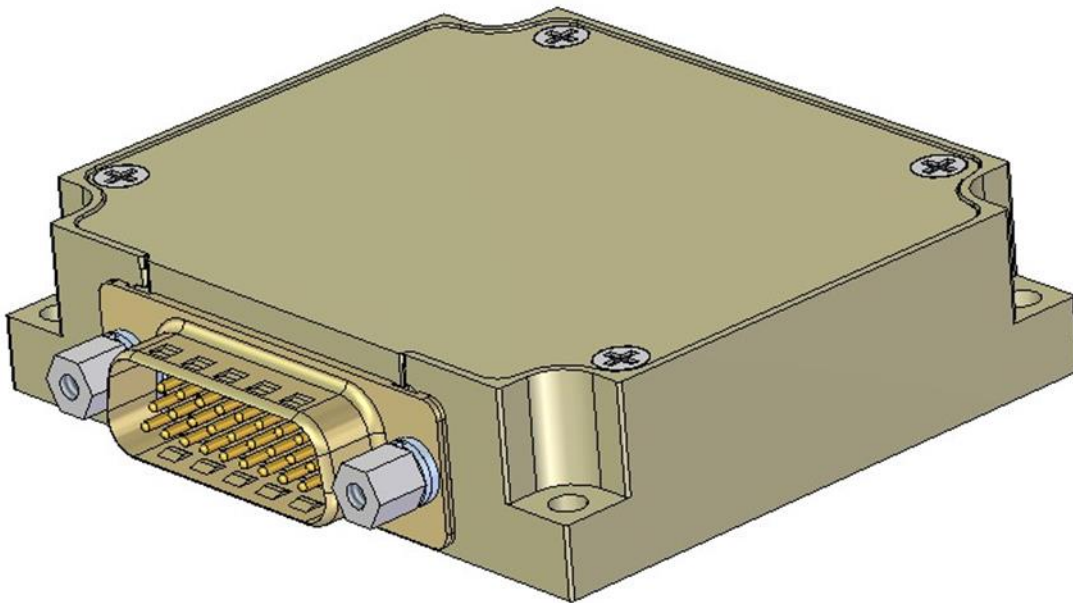


M1255 SERIES

HOLD-UP POWER SUPPLY



THE MAIN FEATURES OF THE M1255 SERIES ARE:

- Miniature size
- High efficiency
- Wide input range
- Fixed switching frequency
- External Synchronization (250 ± 10 kHz)
- EMI filters included
- Indication for Input failure and Hold-Up activation
- External capacitor required.
- Operates together with MPS standard modules. Please consult factory for specific applications.
- More than 990 W/msec per 1 mF capacitance
- Input Reverse Polarity - Protection for unlimited time

Electrical Specifications

DC INPUT

DC Input range: 18 to 50 V_{DC}

Input transient protection:

All models meet or exceed (no damage) MIL-STD-1275A (100V for 50ms) and MIL-STD-704A, MIL-STD-704D (80V for 0.1Sec)

EMC:

Designed to meet* MIL-STD-461F:

CE101, CE102, CS106, C101, RE102, RS102, RS103

Isolation:

200V between Input and Case 200V between Output and Case

DC OUTPUT

Same as input voltage (-1V max) at max current:

I_{out} : max 15A

Steady State output current:

DC output current following input current

Environmental Conditions

Meets or exceeds MIL-STD-810F Temperature:

Operating: -55°C to +85°C (baseplate) Storage: -55°C to +125°C

Vibration level:

Up to 9 grms.

For higher vibration levels - please consult factory.

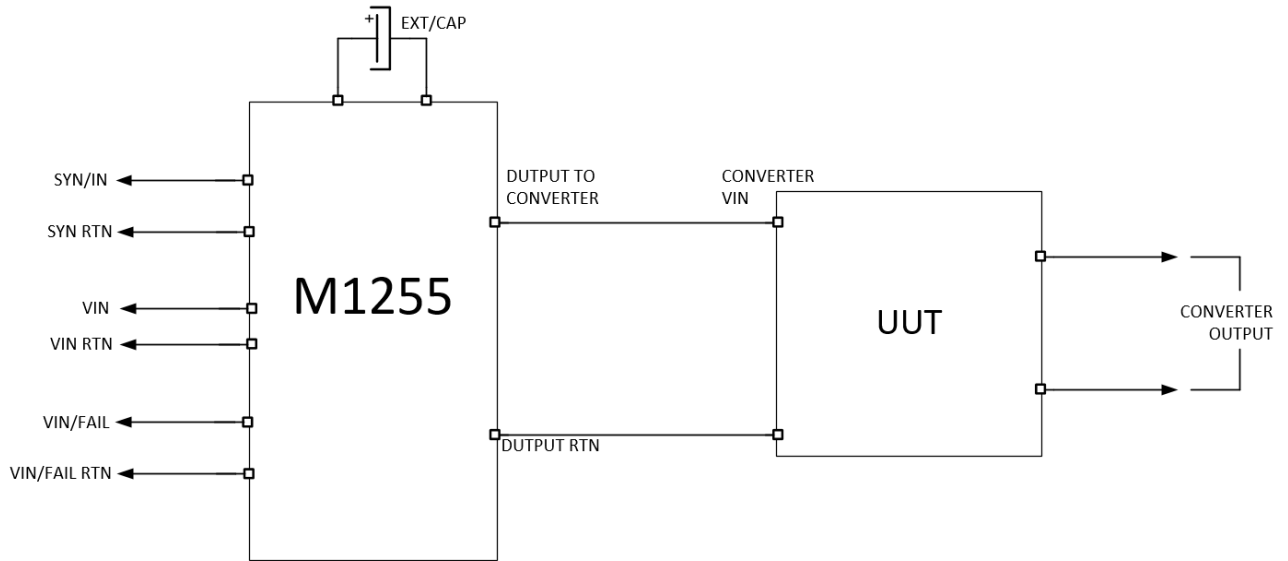
Reliability

150,000 hours, calculated per MIL-STD-217F at +85°C baseplate, Ground Fixed.

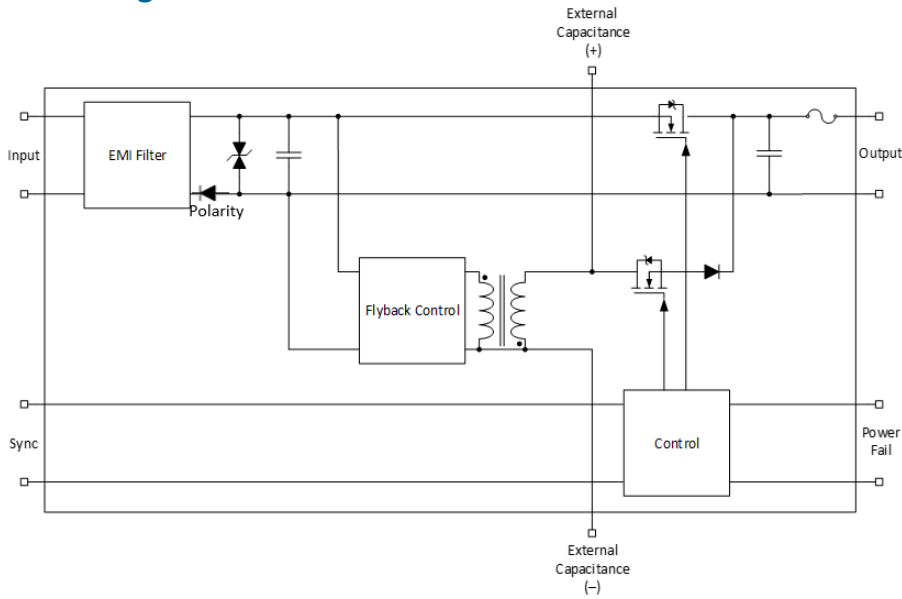
*** Compliance achieved when tested with shielded cable and static resistive load.**

M1255 Hold-Up Power Supply

Connection Diagram



Block Diagram



Description of Operation

The holdup unit is meant to be installed in front of a power supply, and not a standalone. It is used for input voltage holding when a power failure occurs, such that if the input power returns to nominal limits in a defined period of time, the load can't tell that a power failure had happened.

This unit is designed to be used with most of Enercon's DC/DC converters and DC/AC inverters (consult factory for applicability to specific models).

During normal operation, an internal converter charges the external capacitor to 50 V.

In case a power failure occurs where the input voltage drops below 17-18V, the input is disconnected from the output via a MOSFET switch, and the external cap is connected to the output pins through another MOSFET switch. The external cap is then discharged into the cascaded power supply, dropping towards 17-18V, where the cascaded power supply ceases to operate.

When input power returns (it can happen during cap discharge or after complete loss of power), the MOSFET switches disconnect the output from the external cap, reconnect the input to the output, and the internal converter recharges the external cap back to 48-51V, preparing it for the next power failure.

Note: all voltage refers to power supply $V_{in}=18-50V$

Pin Assignment

Connector type: ODD26M4000C-15 or eq.

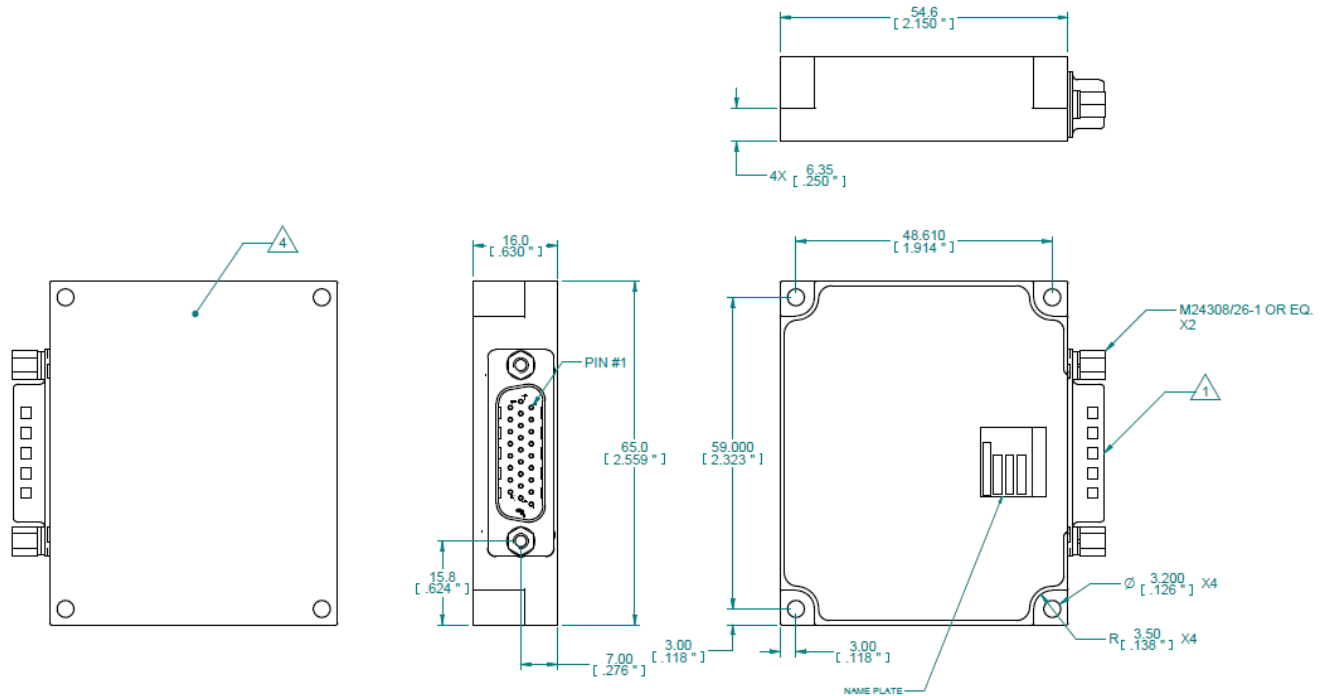
Mates with: AL 6061-T651, AL 5052-H32 or eq.

Pin No.	Pin Function	Polarity
7, 8, 9, 18	VIN	(+)
16, 17, 25, 26	VIN RTN	(-)
10	SYNC	(+)
19	SYNC RTN	(-)
20	VIN FAIL	(+)
11	VIN FAIL RTN	(-)
1, 2	EXTERNAL CAPACITOR	(+)
23, 24	EXTERNAL CAPACITOR RTN	(-)
3, 4, 12, 13	OUTPUT TO CONVERTER	(+)
5, 6, 14, 15	OUTPUT RTN TO CONVERTER	(-)
21	CHASSIS	

M1255 Hold-Up Power Supply

Outline Drawing

For detailed dimensions and tolerances see Drawing: M1255-100



NOTES :

1. I/O CONNECTOR P/N: ODD26M4000C-15 OR EQ.
2. MTL. AL 6061-T651.
3. FINISH:
 - 3.1. CHROMATE CONVERSION COATING PER MIL -DTL-5541, LAST REVISION, TYPE I, CLASS 1A, OR EQ.
4. COOLING: HEAT DISSIPATION AREA- 5.4 [in²], 3,500 [mm²] .
5. WORKMANSHIP SHALL BE MIL-STD-454, REQT. 9

*** Specifications are subject to change without prior notice by the manufacturer.**