

M333-4

RACK-MOUNTED BATTERY PACK



PRODUCT HIGHLIGHTS

108VDC, 10AH External Battery Pack,
Used with M362-4 UPS

- **VERY LONG HOLDUP TIME:
2 HRS @ 1KW AND 1 HR @ 2KW
(WITH FOUR M333-4 BATTERY PACKS)**
- **USES HIGH QUALITY VRLA CELLS**
- **COMPLIES WITH MIL-STD-167-1
(TYPE I) AND MIL-S-901D**

** For ordering Part Number: see Page 5*

The main features of the M333-4 are:

- **Standard 19" Rack Mounted, 2U high, and 22" deep with slides and rear-panel load-bearing bushings.**
- **Up to (4) four M333-4 Units can be connected and controlled by a single M362-X UPS.**
- **Supports very long Holdup time; over 2 hours at 1KW and one hour at 2KW (with four M333-4 Battery Packs).**
- **An ID Resistor allows the Host UPS (M362-X) to automatically identify the type and number of Battery Packs connected to it.**
- **Internal Electronic Switch removes power from the I/O connectors when not connected to the Host UPS or when the UPS is Off.**
- **Complies with MIL-STD-167-1 (Type I) and MIL-S-901D Shipboard Shocks and Vibration.**
- **MS Power Connectors.**
- **J-STD-001B and IPC-610A Class-3 Workmanship.**
- **Conformal Coating of PWBs per MIL-I-46058C and IPC-CC-830.**
- **Uses high quality VRLA cells.**

Specifications:

Battery Type	Valve regulated Lead-Acid (Yuasa NPX-25 or equivalent).			
Nominal Voltage	108VDC			
Nominal Capacity	10AH (10hr)			
	Output (AC) Power	1KW	1.8KW	2.4KW
Hold-up Time (Vs. Load on the M362-X Output) at 25°C. <i>Notes 1 and 2</i>	With one M333-4	26 min	13 min	9.5 min
	With two M333-4	60 min	30 min	21 min
	With three M333-4	96 min	48 min	34 min
	With four M333-4	134 min	67 min	48 min

Notes:

- For other loads between 1KW to 2.4KW the Hold-up time can be estimated using the following formula: Holdup Time(minutes) = 26.5 x (N/KW)^{1.17} where KW is the load in KW and N is the number of M333-4 units connected to the UPS.
- Below 25°C, derate by 1.25% for every 1°C.

INDICATIONS & CONTROLS	Front panel Visual Indication	A Green LED indicates that the Battery Pack is connected to an operating UPS.
	Safety Switch	When the Host UPS is turned Off, or the “Safe to Disconnect” push button on the UPS (M362-X) front panel is depressed, or the cable between the UPS to the Battery Pack is disconnected, power is automatically removed from the I/O connectors of the M333-4.
ENVIRONMENT	Temperature	Non-operating: -20 to +70°C Operating: 0 to +55°C Note: Prolong exposure to temperatures above +40°C will degrade the battery expected life and performances.
	Humidity	Up to 95% (MIL-STD-810F, Method 507.4).
	Altitude	Operating: Up to 10,000 feet. Non-operating: (Air transport) 50,000 feet.
	Orientation	May be installed at any orientation.
	Mechanical Shock	MIL-S-901D (Grade A, Class I & 2)
	Vibration	Shipboard Vibration Per MIL-STD-167-1 (Type 1)
	Fungus	Does not support fungus growth, in accordance with the guidelines of MIL-STD-454, Requirement 4.
	Acoustic Noise	Less than 28dBA (no fans or any other moving parts are used).
EMI	MIL-STD-461E	CS114, (Curve 5, Bulk Cable Injection), CS115 (Bulk Cable Injection), RE101, RE102, RS101, RS103. (Surface-Ships and Submarine-Internal application).
	DC Magnetic Field	Tolerates 1600 A/m (per MIL-STD-1399 Section 70)
WEIGHT and SIZE		In accordance with DWG M333004 (19” Rack-mount, 2U high, 22” deep, weighs 100 Lbs)

Connectors and Pin Out:

J2 – TO NEXT BATT (To additional M333-4 BATT Pack) MS3452W20-27S or Eq		
Des.	Signal	Minimum Wire Size
A	GND	AWG #16
B	IDRES-2	AWG #22
C	Reserved	AWG #22
D	Reserved	AWG #22
E	+BATT	AWG #16
F	+BATT	AWG #16
G	+24VDC	AWG #22
H	BATT-RTN	AWG #16
I	BATT-RTN	AWG #16
J	Reserved	AWG #22
K	24VDCRTN	AWG #22
L	IDRES-1	AWG #22
M	+BATT	AWG #16
N	BATT-RTN	AWG #16

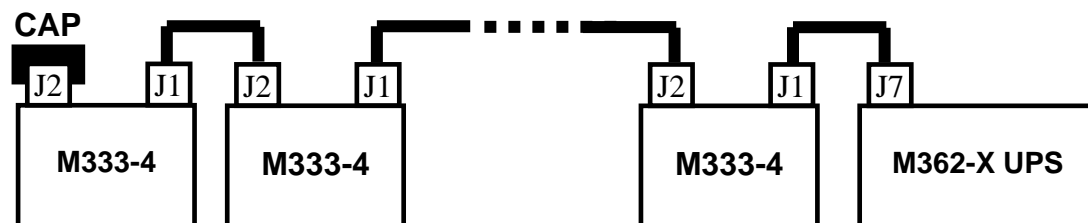
J1 – TO UPS (To the M362-X UPS) MS3452W20-27P or Eq		
Des.	Signal	Minimum Wire Size
A	GND	AWG #16
B	IDRES-2	AWG #22
C	TMPSNS-1	AWG #22
D	TMPSNS-2	AWG #22
E	+BATT	AWG #16
F	+BATT	AWG #16
G	+24VDC	AWG #22
H	BATT-RTN	AWG #16
I	BATT-RTN	AWG #16
J	Reserved	AWG #22
K	24VDCRTN	AWG #22
L	IDRES-1	AWG #22
M	+BATT	AWG #16
N	BATT-RTN	AWG #16

Notes:

- Caution !!!** When the M333-4 is connected to an operating UPS, high voltage (120VDC) may appear on J2. To avoid safety hazard J2 should never be left open. If unused, it must be sealed by its tethered protection cap.
- Up to (4) four M333-4 units can be connected to a single M362-X UPS.
- For proper operation, all pins of J1 and J2 must be connected.
- If more than one M333-4 is used, connect the units as shown below.

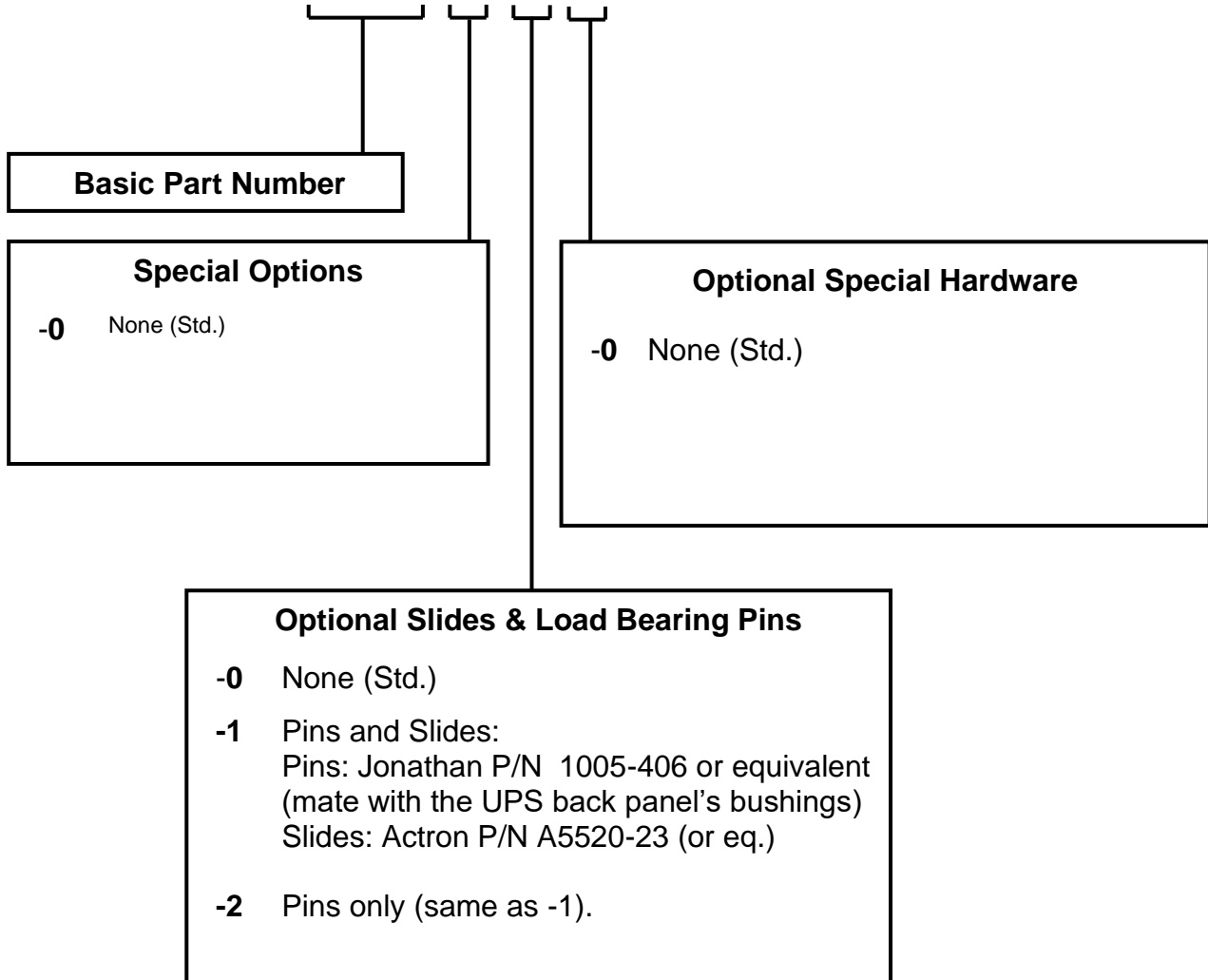
The wire size is the minimum required. All pins will accept up to AWG #16.

The total cables length between the last M333-4 to the UPS should not exceed 9 feet.



How to Order

Order PN: **M333-4 - 0 - 0 - 0**



Note: Specifications are subject to change without prior notice by the manufacturer.