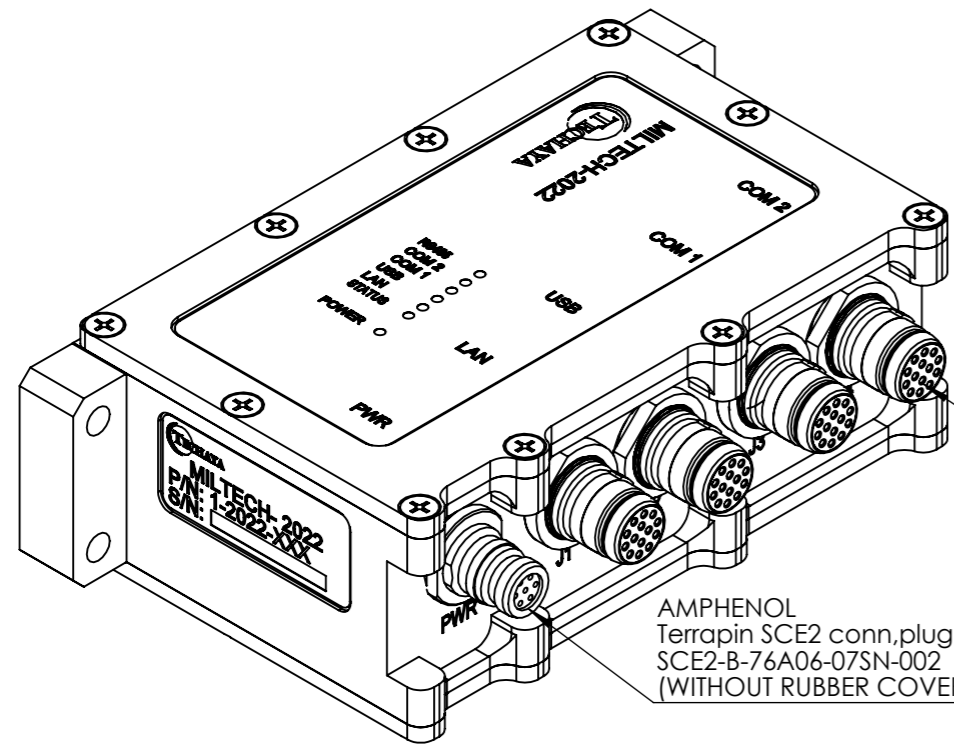


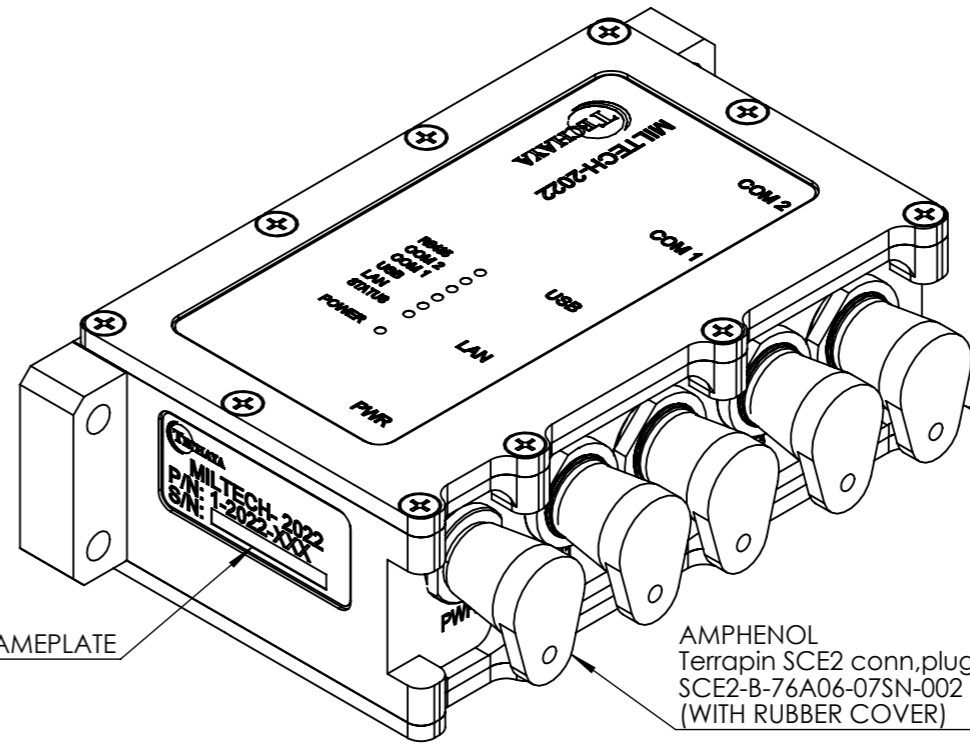
REVISIONS				
REV.	ECO	DESCRIPTION	DATE	APPROVED
1.00	R65154	RTP.	07/01/2024	DROR S.

**APPROVED**  
By dror.shachar at 2:30 pm, Jan 31, 2024



AMPHENOL  
LAN Connector SOCKET, JAM NUT, S  
SCE2-B-76A07-14SN-001 (x4)  
(WITHOUT RUBBER COVER)

AMPHENOL  
Terrapin SCE2 conn,plug,panel,7w,solder  
SCE2-B-76A06-07SN-002  
(WITHOUT RUBBER COVER)



AMPHENOL  
LAN Connector SOCKET, JAM NUT, S  
SCE2-B-76A07-14SN-001 (x4)  
(WITH RUBBER COVER)

AMPHENOL  
Terrapin SCE2 conn,plug,panel,7w,solder  
SCE2-B-76A06-07SN-002  
(WITH RUBBER COVER)

NAMEPLATE

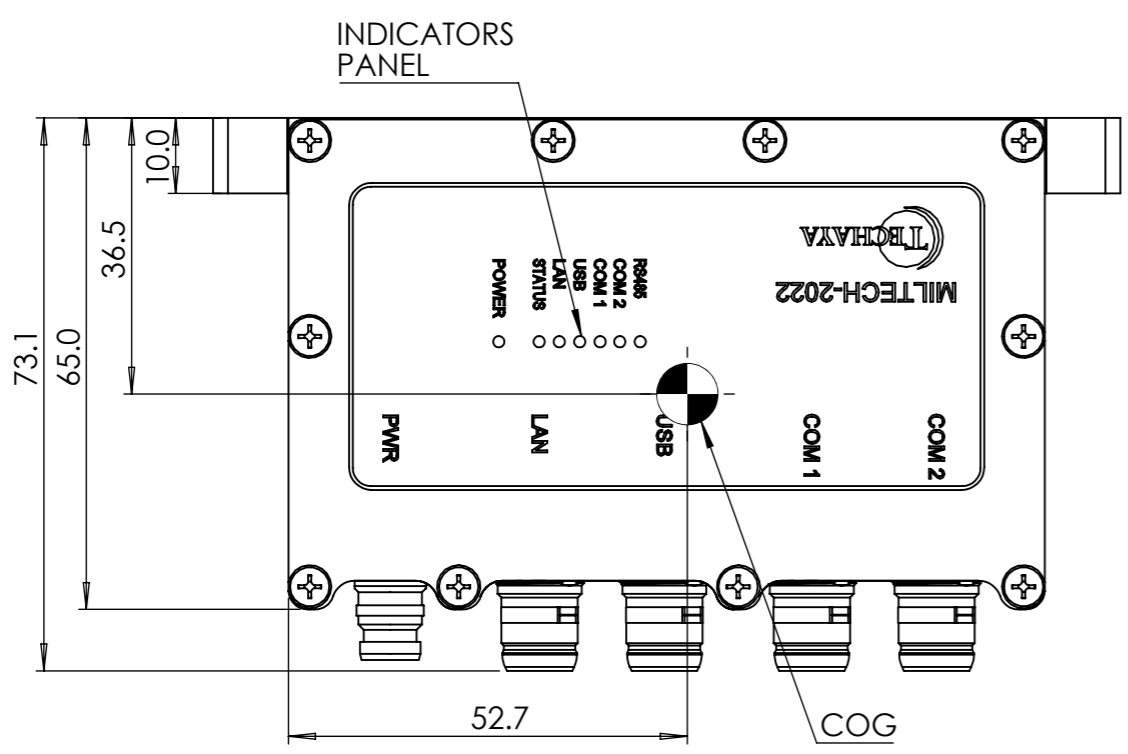
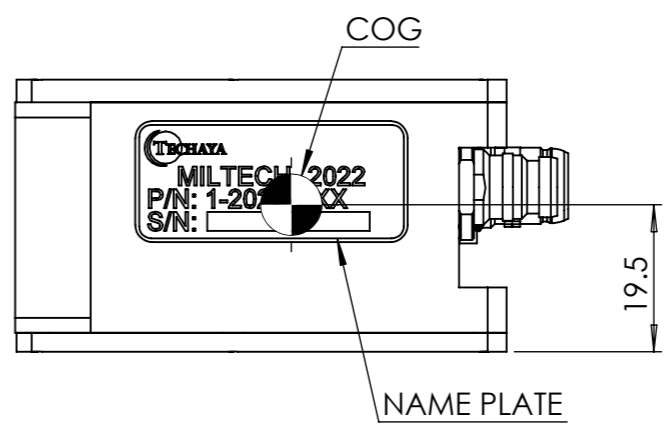
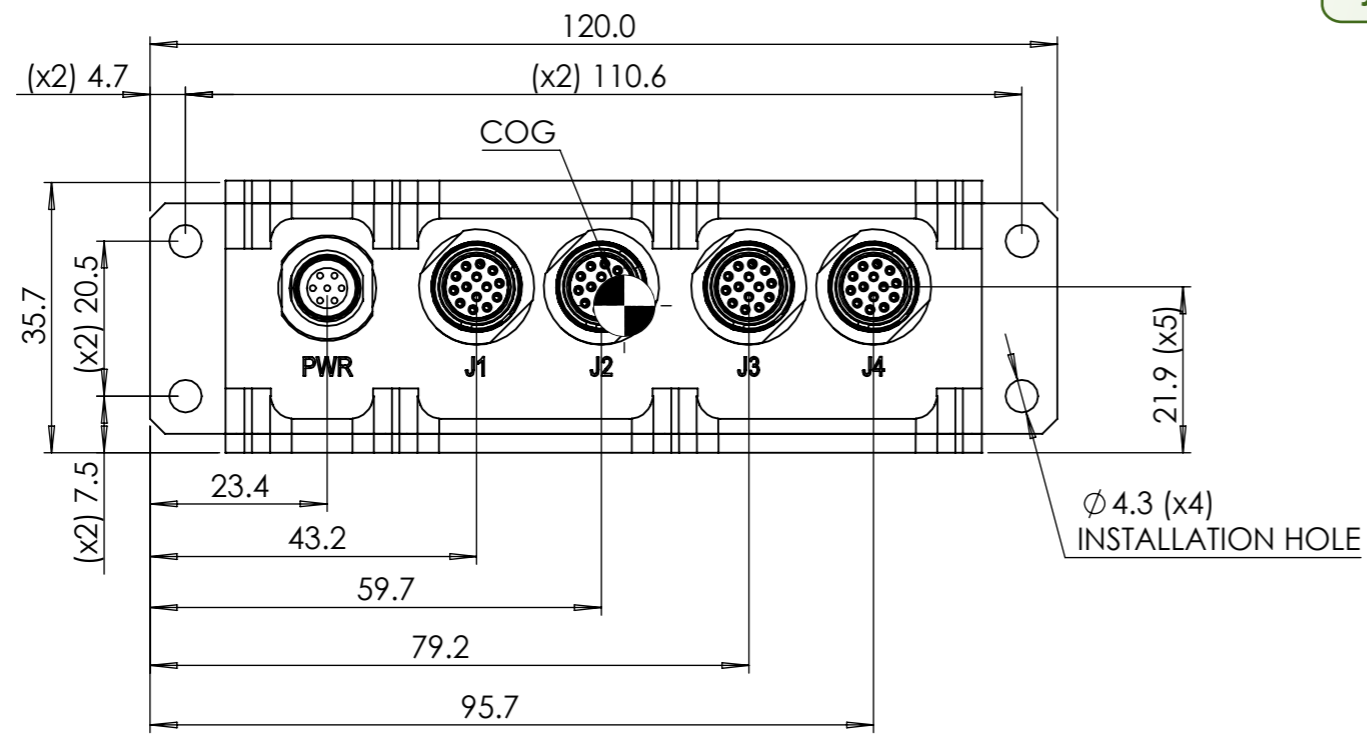
**NOTES:**

- MATERIAL: AL.ALLOY 6061-T651 PER AMS QQ-250/11 OR AMS QQ-A-225/B.
- THE SOLID MODEL FILE MAY BE USED FOR MANUFACTURING AND DIMENSIONAL MEASUREMENT PURPOSES AND SHALL BE USED FOR DEFINITION OF DIMENSIONS NOT EXPLICITLY SPECIFIED ON THE DRAWING. ALL NOTES AND DIMENSIONAL REQUIREMENTS SPECIFIED ON THE DRAWING ARE OBLIGATORY.
- FINISH: CHEMICAL CONVERSION COATING PER MIL-DTL-5541 LAST REV., TYPE II, CLASS 1A (CLEAR).
- PAINTING: PAINTED ON EXTERNAL SURFACES ONLY,OR IN ASSEMBLY WITH COVER.
  - ONE LAYER OF PRIMER.
  - PRIMER EPOXY COATING PER MIL-DTL-53022E, TYPE II, THICKNESS OF 1 LAYER OF 20-30mkm.
  - TOP COATING POLYURETHANE PER MIL-C-83286B, TYPE II, CLASS H, THICKNESS OF 2 LAYERS OF 45-60 mkm.
- APPROX WEIGHT- 370.0gm.

NOMINAL DIMENSIONS AND GEOMETRY ARE ACCORDING TO MODEL FILE. UNLESS OTHERWISE SPECIFIED, DIMENSIONS ARE IN MILLIMETERS DO NOT SCALE DRAWING DEBURR & SHARP EDGES 0.2X45	DRAWN	DROR S.	13/11/2023	[Signature]	PROJECT: <b>MILTECH 2022</b>	THIS DOCUMENT SHALL NOT BE REPRODUCED, NOR SHALL THE INFORMATION CONTAINED HEREIN BE USED BY OR DISCLOSED TO OTHERS EXCEPT AS EXPRESSLY AUTHORIZED IN WRITING BY TECHAYA LTD.	 TECHAYA LTD. WWW.TECHAYA.COM TEL: +972-4-6377741 FAX: +972-4-6377761 P.O.B. 1500 PARDES HANNA, 37100, ISRAEL	
	DSGND	DROR S.	13/11/2023	[Signature]				PART NO: <b>1-2022-XXX-icd</b>
TOLERANCES (PER ISO 2768 (DIN7168)). UNLESS OTHERWISE SPECIFIED): - LINEAR DIMENSIONS: CLASS F - ANGULAR DIMENSIONS: CLASS M - GEOMETRICAL TOLERANCES: CLASS K - HOLES & OPENINGS DIMENSIONS: H12 - SHAFTS & EXTERNAL DIMENSIONS: h12	CHK'D	OFER S.	13/11/2023	[Signature]	TITLE: <b>Serial Over IP /USB ICD</b>	DWG NO: <b>1-2022-XXX-icd</b>	DWG REV.	A3
	APPV'D	UDI P.	13/11/2023	[Signature]	FILE NAME: M:\SOLIDWORKS-2021\techaya\2022\Model\1-2022-XXX-ICD		SCALE: 1:1	SHEET 1 OF 2
	MATERIAL:	SEE NOTES			WEIGHT:	[g]		
	FINISH:	SEE NOTES			SURFACE ROUGHNESS:	[Symbol]		

REVISIONS				
REV.	ECO	DESCRIPTION	DATE	APPROVED

**APPROVED**  
By dror.shachar at 2:30 pm, Jan 31, 2024



NOMINAL DIMENSIONS AND GEOMETRY ARE ACCORDING TO MODEL FILE. UNLESS OTHERWISE SPECIFIED, DIMENSIONS ARE IN MILLIMETERS DO NOT SCALE DRAWING DEBURR & SHARP EDGES 0.2X45 TOLERANCES (PER ISO 2768 (DIN7168), UNLESS OTHERWISE SPECIFIED): - LINEAR DIMENSIONS: CLASS F - ANGULAR DIMENSIONS: CLASS M - GEOMETRICAL TOLERANCES: CLASS K - HOLES & OPENINGS DIMENSIONS: H12 - SHAFTS & EXTERNAL DIMENSIONS: h12	DRAWN DROR S. 13/11/2023 DSG'ND DROR S. 13/11/2023 CHK'D OFER H. 13/11/2023 APPV'D UDI P. 13/11/2023	NAME DATE SIGNATURE	PROJECT: MILTECH 2022 PART NO: 1-2022-XXX-icd TITLE: 4 Ports 10/100/1000 Managed Ethernet Switch ICD DWG NO: 1-2022-XXX-icd FILE NAME: M:\SOLIDWORKS-2021\techaya\2022\Model\1-2022-XXX-ICD	THIS DOCUMENT SHALL NOT BE REPRODUCED, NOR SHALL THE INFORMATION CONTAINED HEREIN BE USED BY OR DISCLOSED TO OTHERS EXCEPT AS EXPRESSLY AUTHORIZED IN WRITING BY TECHAYA LTD. TECHAYA LTD. WWW.TECHAYA.COM TEL: +972-4-6377741 FAX: +972-4-6377761 P.O.B. 1500 PARDES HANNA, 37100, ISRAEL
	MATERIAL: SEE NOTES FINISH: SEE NOTES	WEIGHT: [g] SURFACE ROUGHNESS: $\sqrt{1.6}$	DWG REV. A3 SCALE: 1:1 SHEET 2 OF 2	